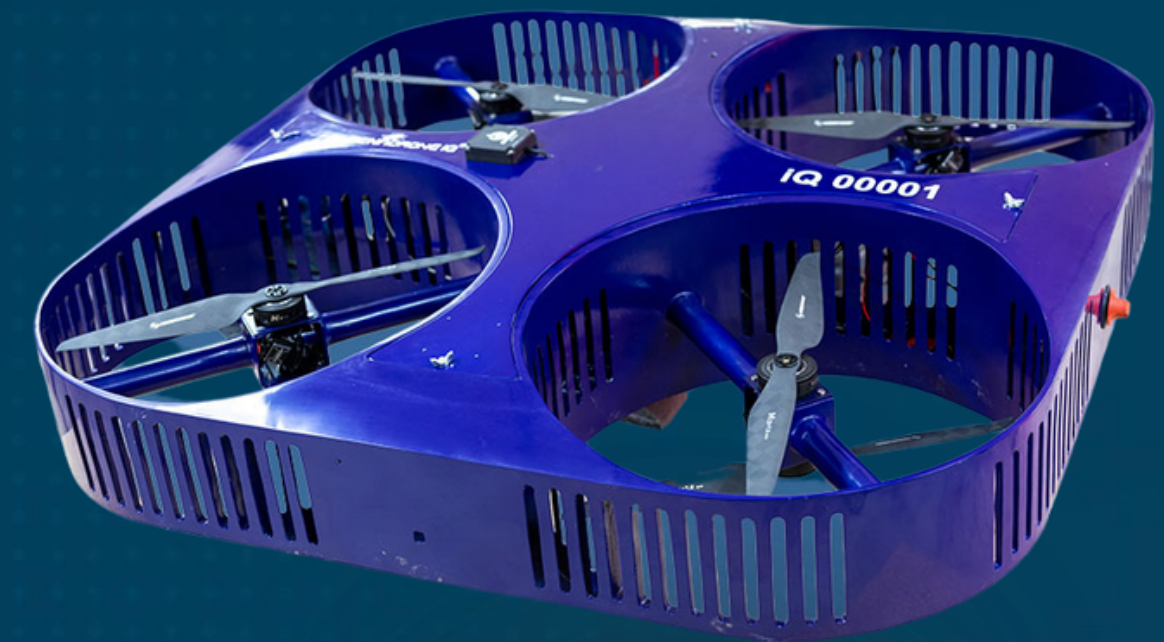


TRANSFORMING INDUSTRIES WITH AI DRONES, DRONE as a SERVICE & QUANTUM COMPUTING

Investor Presentation – May 2026

zenatech.com



SAFE HARBOR STATEMENT

This presentation and related comments by management of ZenaTech, Inc. include “forward-looking statements” within the meaning of U.S. federal securities laws and applicable Canadian securities laws. These forward-looking statements are subject to the safe harbor provisions under the Private Securities Litigation Reform Act of 1995. This forward-looking information relates to future events or future performance of ZenaTech and reflects management’s expectations and projections regarding ZenaTech’s growth, results of operations, performance, and business prospects and opportunities.

Such forward-looking statements reflect management’s current beliefs and are based on information currently available to management. In some cases, forward-looking information can be identified by terminology such as “may”, “will”, “should”, “expect”, “plan”, “anticipate”, “aim”, “seek”, “is/are likely to”, “believe”, “estimate”, “predict”, “potential”, “continue” or the negative of these terms or other comparable terminology intended to identify forward-looking statements.

Forward-looking information in this document includes, but is not limited to ZenaTech’s expectations regarding its revenue, expenses, production, operations, costs, cash flows, and future growth; expectations with respect to future production costs and capacity; ZenaTech’s ability to deliver products to the market as currently contemplated, including its drone products including ZenaDrone 1000, IQ Aqua, IQ Square, IQ Nano, IQ Quad, Interceptor P-1, ZenaDrone 2000, and IQ Glider; ZenaTech’s ability to develop products for markets as currently contemplated; ZenaTech’s anticipated cash needs and its needs for additional financing; ZenaTech’s intention to grow the business and its operations and execution risk; expectations with respect to future operations and costs; the volatility of stock prices and market conditions in the industries in which ZenaTech operates; political, economic, environmental, tax, security, and other risks associated with operating in emerging markets; regulatory risks; unfavorable publicity or consumer perception; difficulty in forecasting industry trends; the ability to hire key personnel; the competitive conditions of the industry and the competitive and business strategies of ZenaTech; ZenaTech’s expected business objectives for the next twelve months.

ZenaTech’s ability to obtain additional funds through the sale of equity or debt commitments; investment capital and market share; the ability to complete any contemplated acquisitions; changes in the target markets; market uncertainty; ability to access additional capital, including through the listing of its securities in various jurisdictions; management of growth (plans and timing for expansion); patent infringement; litigation; applicable laws, regulations, and any amendments affecting the business of ZenaTech and other related risks and uncertainties disclosed under the heading “Risk Factors” in the Company’s Form F-1, Form 20-F and other filings filed with the United States Securities and Exchange Commission (the “SEC”) on EDGAR through the SEC’s website at www.sec.gov.

The Company undertakes no obligation to update forward-looking information except as required by applicable law. Such forward-looking information represents managements’ best judgment based on information currently available. No forward-looking statement can be guaranteed and actual future results may vary materially. Accordingly, readers are advised not to place undue reliance on forward-looking statements or information.

ABOUT ZENATECH

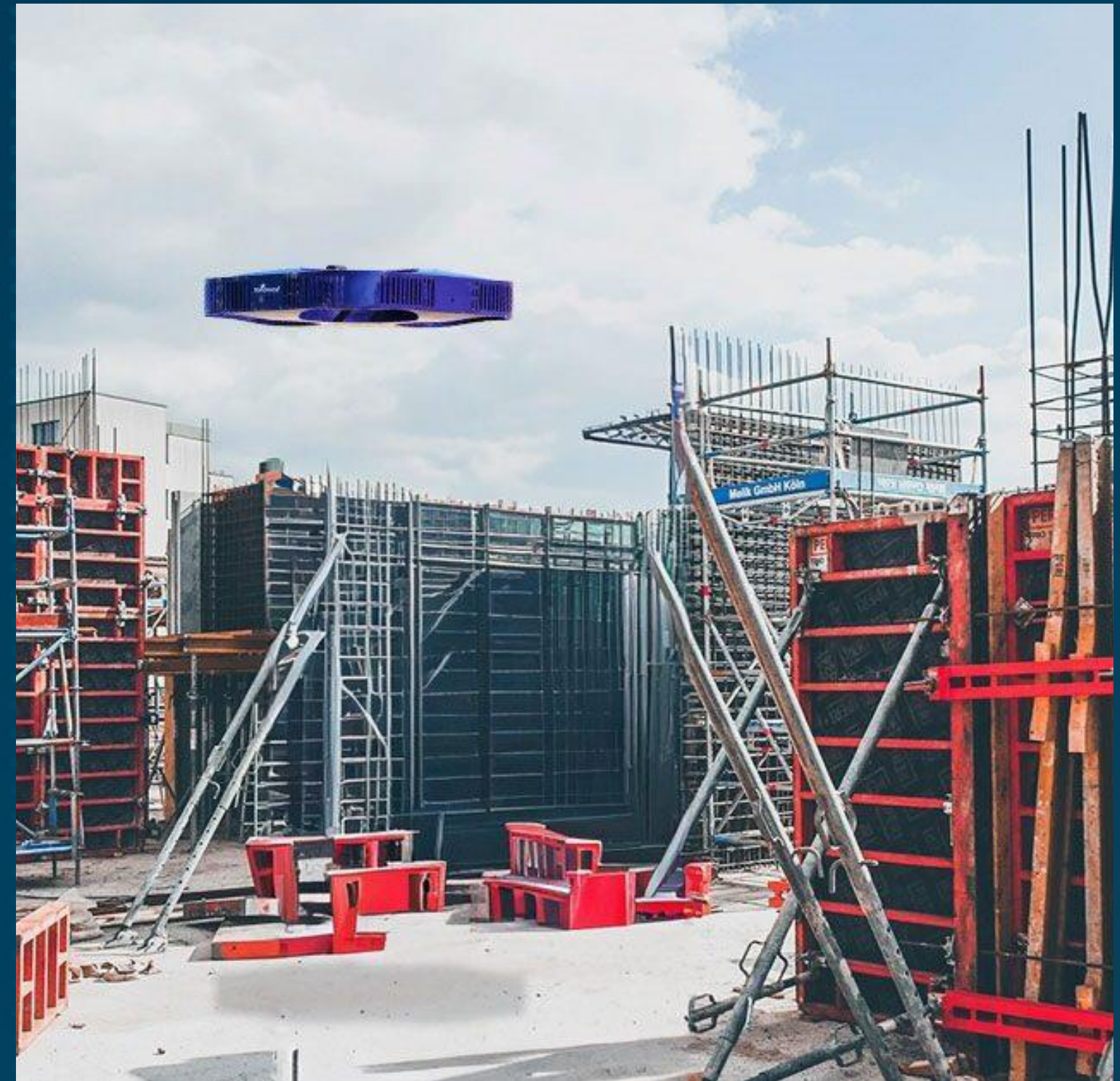
- AI Autonomous **Drone Solutions** for **Business, Government & Defense** – Pilot/Commercialization stage
- Growing a **Drone as a Service (DaaS)** AI Autonomy Platform for Inspections, Surveys & Field Operations
- **Enterprise SaaS Software**, multiple brands, longstanding Business & Government customers
- Sales & operations across **North America, Europe, UAE, and Asia**
- Three manufacturing facilities in **UAE, Arizona and Taiwan**



**For Graphic Reference Only*

INVESTMENT HIGHLIGHTS

- **Massive Growth for AI-driven drone automation**– labor shortages, rising costs & demand for real-time data.
- **Vertically Integrated, Scalable AI Autonomy Platform (DaaS)**– HW, SW, Services for recurring revenue & higher lifetime value
- **Positioned for Defense Markets**– Pursuing certification & pilot/contract pathways to leverage growing U.S. & global demand
- **Roll up Strategy**– Acquiring Legacy services, upgrading with drones, accelerating growth & margin expansion
- **Enterprise SaaS business**– High margin, recurring revenue & core in-house SW capabilities



**For Graphic Reference Only*

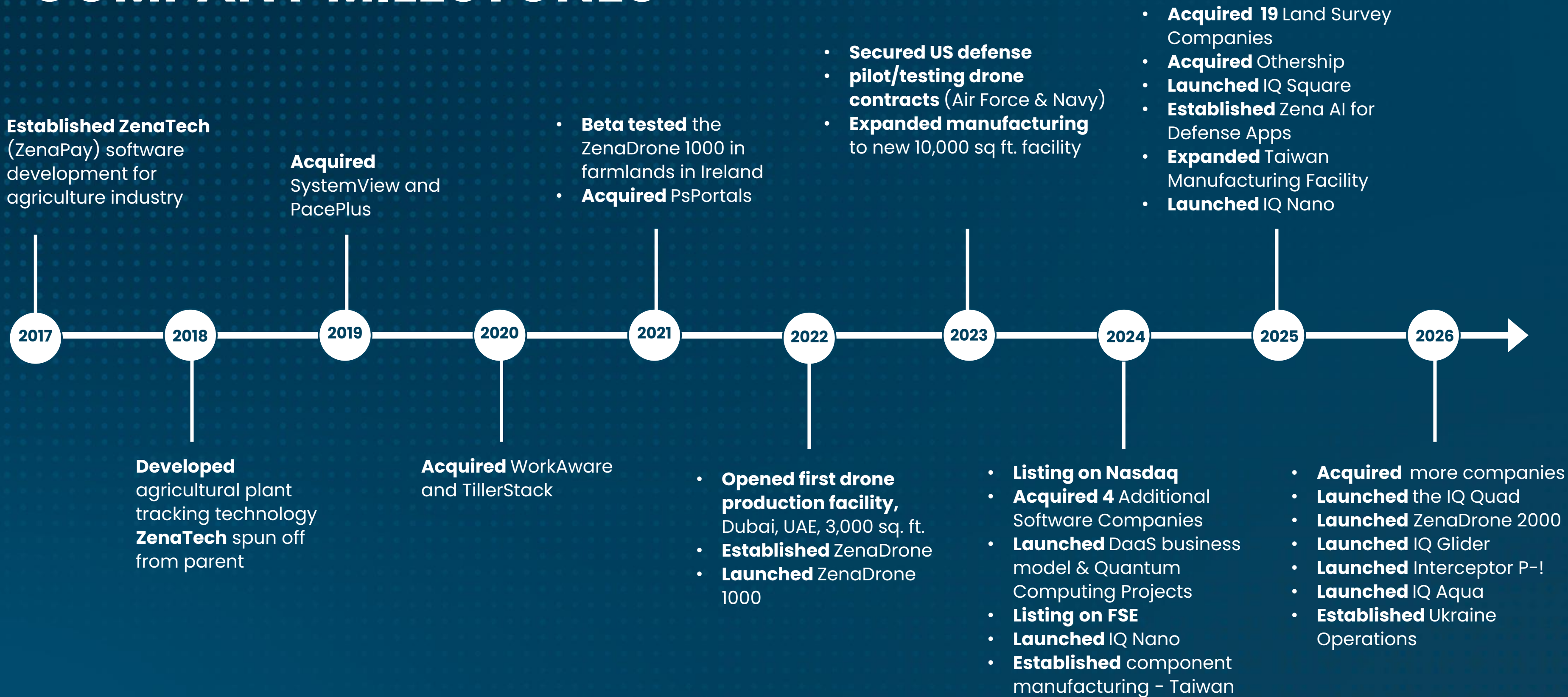
CAPITALIZATION

Stock Symbol	NASDAQ: ZENA FSE: 49Q
Stock Price (As of 05/01/26)	\$2.46
Common Shares Outstanding	78,110,780
Market Capitalization	\$130M
Warrants Outstanding	1,605,551
48.7% of shares owned by Founder & Insiders	



**For Graphic Reference Only*

COMPANY MILESTONES



ZENATECH REVENUE MODELS

Enterprise SaaS Software	Drone as a Service for Business & Government	Integrated drone HW/SW solutions sold to Business, Government & Defense
<ul style="list-style-type: none"> • SaaS – Annual license • Support & Maintenance • Custom Software • Professional Services • Training 	<ul style="list-style-type: none"> • Annual subscription membership • Usage or per job fee • Drone management fee • Hardware/software application customization • Data and Analytics services 	<ul style="list-style-type: none"> • Drone management fee • Drone hardware and accessory sales • Drone software license • Drone warranty (hardware and accessory replacement) • Hardware/software customization • Premium AI or Analytics services • Software maintenance and support • Professional services & training

FY2025 RESULTS

Revenue

\$12.9M

+558%

Versus FY2024



Q4 2025 Revenue

\$5.2M

+670%

Versus Q4 2024

Cash & Marketable Securities

\$15.1M

+301%

Versus EOY 2024

Total Assets

\$99.8M

+188%

Versus EOY 2024

Revenue in Cdn. Dollars

FY2025 RESULTS

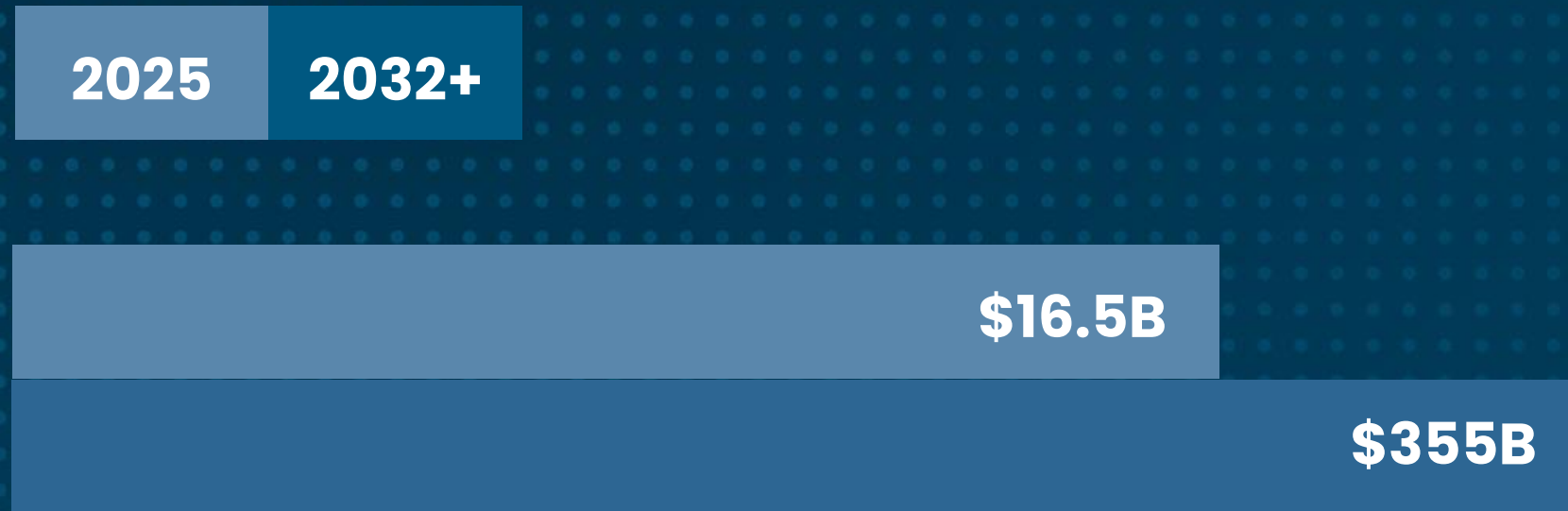
- **Transformational DaaS Launch Year:** The Drone as a Service segment generated \$10M in revenue in its very first full year of operations, 78% of total revenue, validating the core acquisition-led roll-up strategy.
- **20 Acquisitions in a Single Year:** Completed 20 acquisitions including 19 land surveying and inspection companies across the U.S., U.K., and Canada, rapidly building a global DaaS footprint of 24 locations.
- **Defense Pipeline Building:** ZenaDrone made meaningful progress engaging with U.S. Defense Agency Program Managers and Members of Congress, positioning for demonstrations and pilot programs in 2026.
- **New Maritime Defense System and Product Platforms:** Commenced prototype development of counter-UAS interceptor drones and launched the IQ Aqua for underwater surveillance, expanding addressable defense and industrial markets.
- **Manufacturing Progress:** Expanded manufacturing operations across three global facilities in Taiwan, UAE, and Arizona — the latter purpose-built for NDAA-compliant, American-made drones — scaling production capacity for U.S. defense customers.
- **Quantum Computing / Zena AI:** Advanced next generation quantum computing and AI autonomy initiatives, including launching Zena AI, R&D hub for advanced AI defense applications. Company building a 5-qubit quantum computer for weather forecasting and drone swarm applications including wildfire management.

DEFENSE BUSINESS

- NDAA-compliant supply chain, pathway Green → Blue UAS certification in progress
- ZenaDrone platforms designed for ISR, inspection, cargo logistics, and inventory management
- Opened Washington, D.C. area office for direct federal engagement , planned 2026 field demonstrations and pilots
- Leveraging U.S. policy tailwinds and expanding US defense budgets for American-made drones
- Established Zena AI R&D division in Baton Rouge, LA for advanced defense AI applications
- Initiated development of Counter-UAS Defense Systems
- Prototypes- ZenaDrone 2000 Maritime Interceptor drone, P-1 Interceptor and IQ Glider Marine launch station

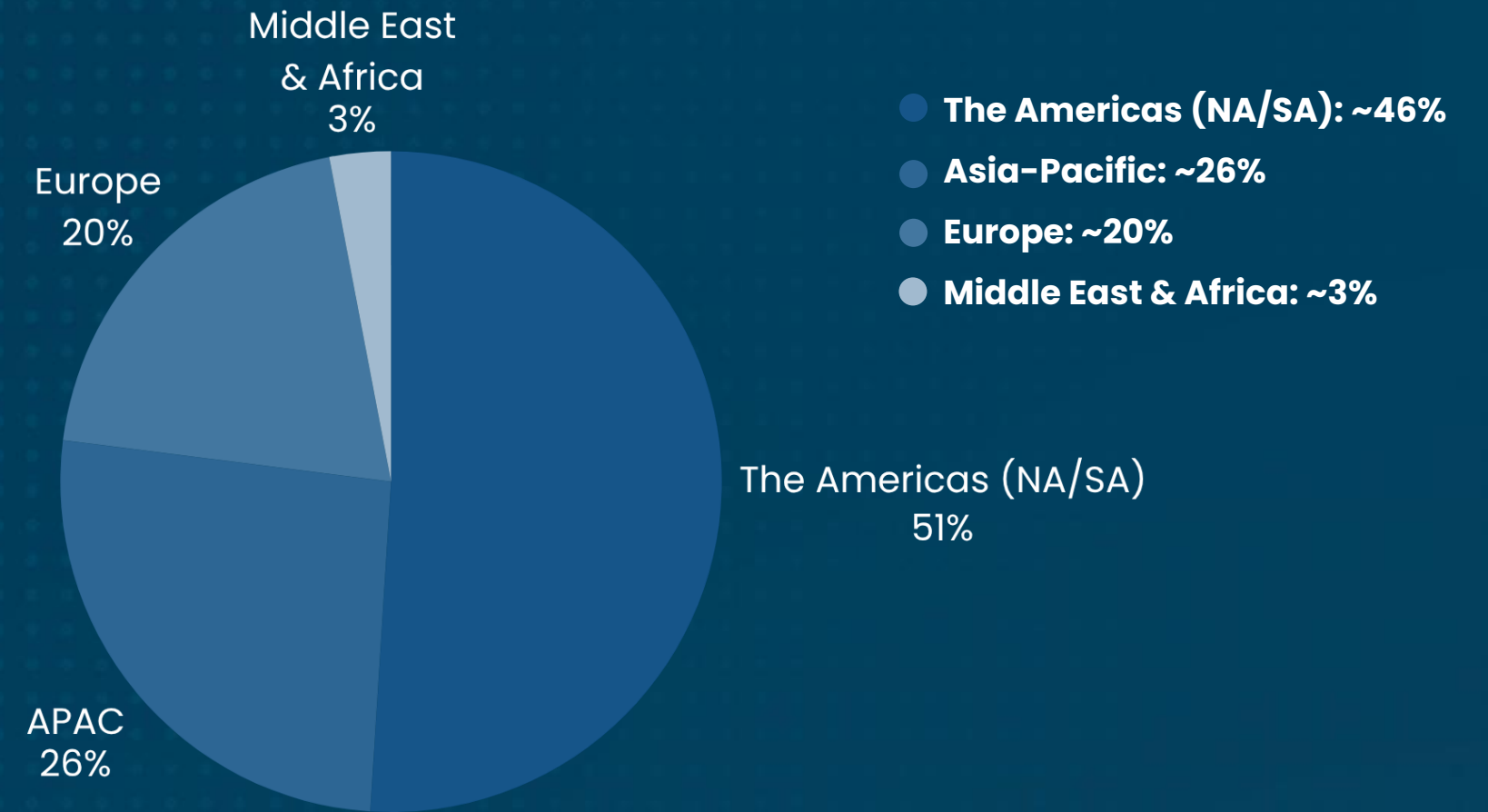


GLOBAL DRONE MARKET



Drone as a Service Market Size

Geographic Breakdown



Industry Drivers

- FAA & DoW- historic policy directives positively impacting US drone makers, streamlining procurement and opening up more airspace
- Tech innovation- drone batteries, lighter fuselage, AI and quantum, drone swarms
- US government policy shifts banning foreign made drones & components that currently dominate the industry

Source Industry Drivers/Sector size- Drone Life.com report on where the industry will grow the fastest by 2030- at 22/09/06, Military Drone market from Fortune Business Insights Research

THE DEFENSE DRONE OPPORTUNITY

\$13.4B

DoW FY2026
Autonomy Budget

\$87.6B

Global Military Drone Market
by 2030

25.1%

Counter-UAS CAGR
2025 - 2030

~31 Blue UAS Certified

(Blue UAS Cleared List),
Drone Manufacturers Today

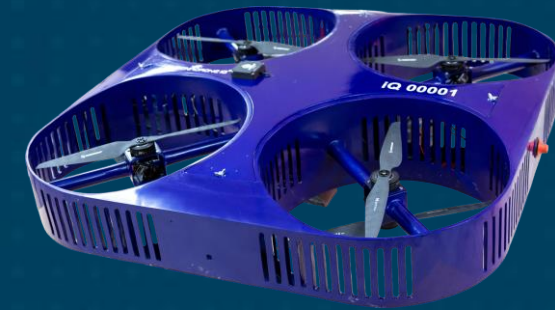
OUR DRONES



ZD 1000



IQ QUAD



IQ SQUARE



IQ NANO



IQ AQUA

Upcoming

ZD2000

IQ GLIDER

INTERCEPTOR P-1

*For Graphic Reference Only

ZENADRONE PRODUCTS – ZD1000

	ZD 1000	
Dimension	7 x 12"	
Price	\$100-250K plus software	
Applications	<ul style="list-style-type: none">• Defense Applications – inspection, surveillance, reconnaissance, cargo and border patrol• Precision Agriculture – sprayer attachment and scanners• Gas Version in Development – flies for several hours• Proprietary DroneNet Communications System• Completed Paid Trials with Air Force and Navy	

ZENADRON – IQ SERIES

	IQ SQUARE	IQ NANO	IQ QUAD	IQ AQUA
Dimension	40 x 40" and 50 x 50"	20 x 20" and 30 x 30"	-	475 x 338 x 254 mm
Price	-	\$3-5K plus software	-	-
Applications	<ul style="list-style-type: none"> • Land Surveying • Construction • Urban Planning • Public Works 	<ul style="list-style-type: none"> • Inventory Management • Indoor security & surveillance • Facility & Maintenance Inspections 	<ul style="list-style-type: none"> • Land Surveying • Construction • Urban Planning • Public Works 	<ul style="list-style-type: none"> • Mine detection and countermeasure support • Covert underwater ISR • Port and harbor threat detection • Autonomous underwater inspection • Underwater surveillance
				

ZENADRON - COUNTER-UAS SOLUTIONS



	ZenaDrone 2000	IQ Glider	Interceptor P-1
Overview	An AI-powered autonomous drone designed for aerial surveillance and threat detection.	An Autonomous maritime platform designed for coastal surveillance and counter-drone deployment.	A one-way low-cost autonomous drone designed for mid-air interception of hostile UAVs.
Applications	<ul style="list-style-type: none"> • Airspace monitoring & detection • Threat tracking • Base & infrastructure surveillance 	<ul style="list-style-type: none"> • Coastal & port security • Maritime drone defense • Sea-based deployment platform 	<ul style="list-style-type: none"> • Autonomous drone interception • Swarm neutralization • Point defense for critical assets

COMPETITIVE DIFFERENTIATION

	APPLICATION				SIZE / RANGE				PLATFORM	CAPABILITIES				
COMPANY	MILITARY / DEFENSE	COMMERCIAL	PUBLIC SAFETY	DAAS	SMALL INDOOR	SMALL OUTDOOR	MEDIUM HEAVY LIFT	LONG RANGE / BVLOS	ROTARY VTOL	AI / AUTONOMY	SWARM	COUNTER-UAS	QUANTUM NAV / GPS-DENIED	BLUE UAS
ZenaTech	✓	✓	✓	✓	✓	✓	✓	IN DEV	✓	✓	IN DEV	IN DEV	IN DEV	IN DEV
Red Cat Holdings	✓	✓	✓	–	–	✓	–	✓	✓	✓	–	–	–	✓
Draganfly	✓	✓	✓	–	–	✓	✓	–	✓	✓	–	–	–	–
EagleNXT	✓	✓	✓	–	–	–	–	✓	–	✓	–	–	–	✓
Ondas Holdings	✓	✓	✓	–	–	✓	–	✓	✓	✓	–	✓	–	✓
AeroVironment	✓	✓	✓	–	–	✓	–	✓	✓	✓	✓	✓	✓	✓
Kratos Defense	✓	–	–	–	–	–	–	✓	–	✓	✓	–	–	–

DRONE AS A SERVICE



AI Autonomy Platform- Drone Services via Subscription-based & Pay-per-use, for Business & Government

No Need for Capital Purchases, Drone Pilots, Maintenance or Regulatory Concerns

Roll-Up Strategy

Existing Customer Relationships, Multi-Decade, Profitable Businesses- Legacy, Low-Tech, Ripe for Drone Innovation

Phase 1	Acquire Land Survey Engineering, Inspection, Power washing Company
Phase 2	Integrate Drones, DaaS Branded Business- Achieve Workflow Efficiencies, Margin & Revenue Growth, Add Multiple Drone Services



*For Graphic Reference Only

Powerline
Inspection



Maintenance
Inspection



Land Surveys



Inventory
Management



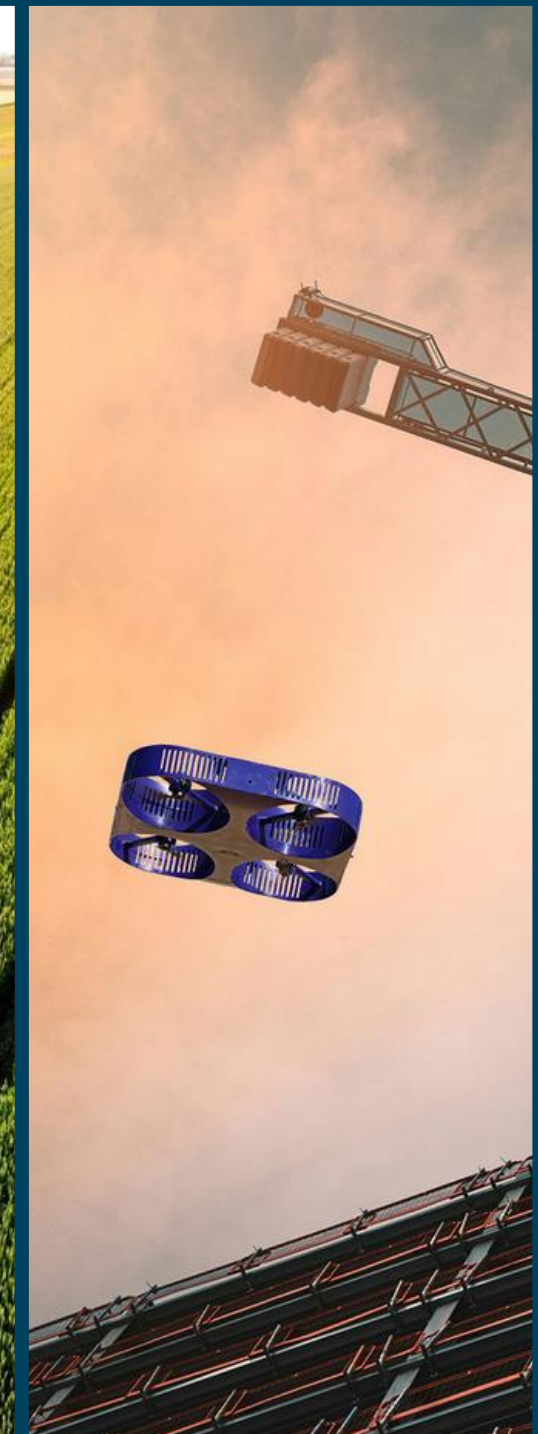
Power
Washing



Precision
Agriculture

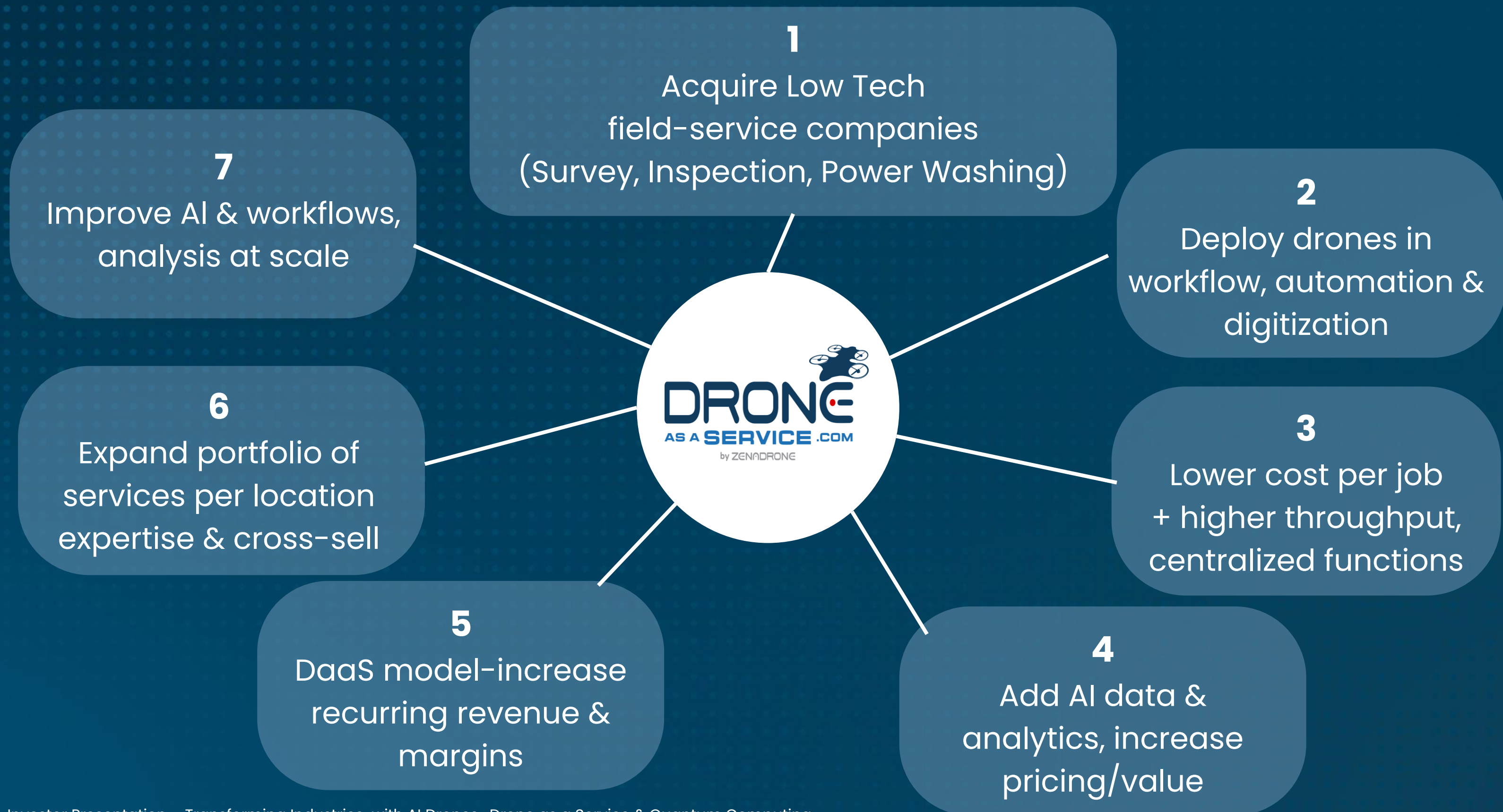


Solar
Inspection



*For Graphic Reference Only

DaaS VALUE CREATION FLY WHEEL



DRONE MANUFACTURING

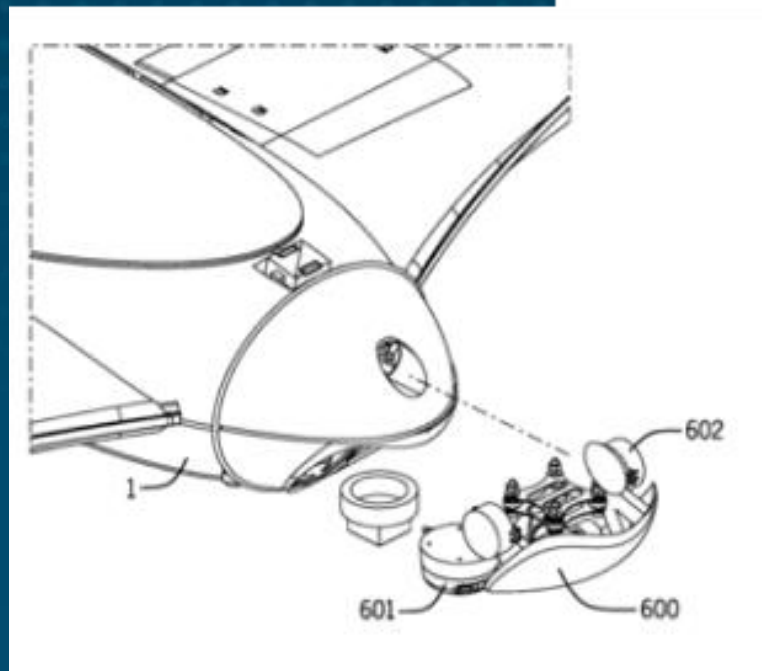
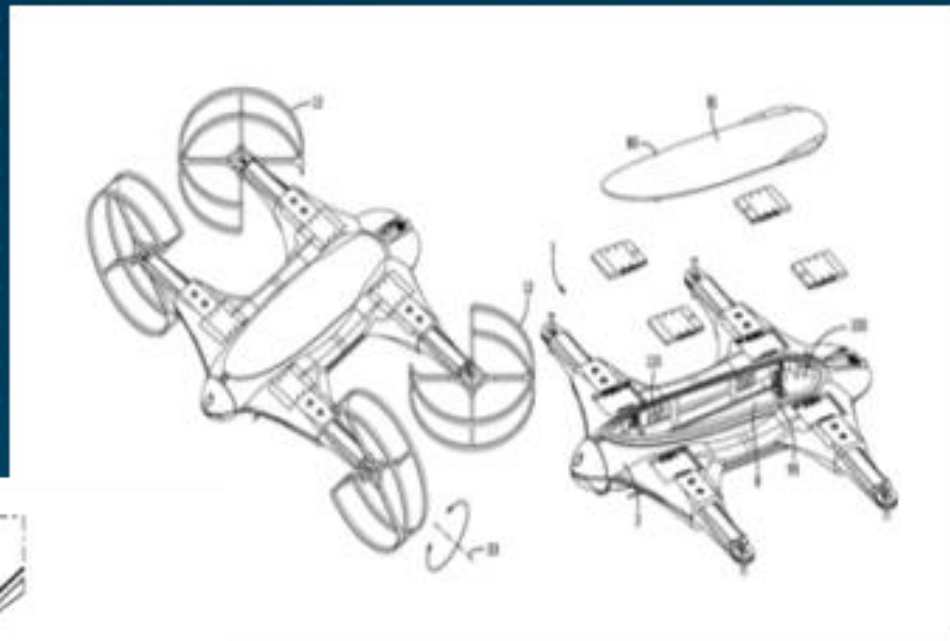
- **UAE production facility** established 2022, expanded twice to 22,000 sq feet
- Production capability of 10-15 ZenaDrone 1000 models per month
- Production capability of 25+ IQ Nano/IQ series drones per month
- **Arizona production facility**- R&D, sales, aerial testing, commissioning manufacturing site for US Domestic & Military drones
- **Spider Vision Sensors, Taiwan**, established in 2024, expanded in 2025. US military-compliant supply chain- cameras, sensors, motors, PCBs
- **Building Ukraine operations** to support manufacturing and testing of Counter-UAS solutions



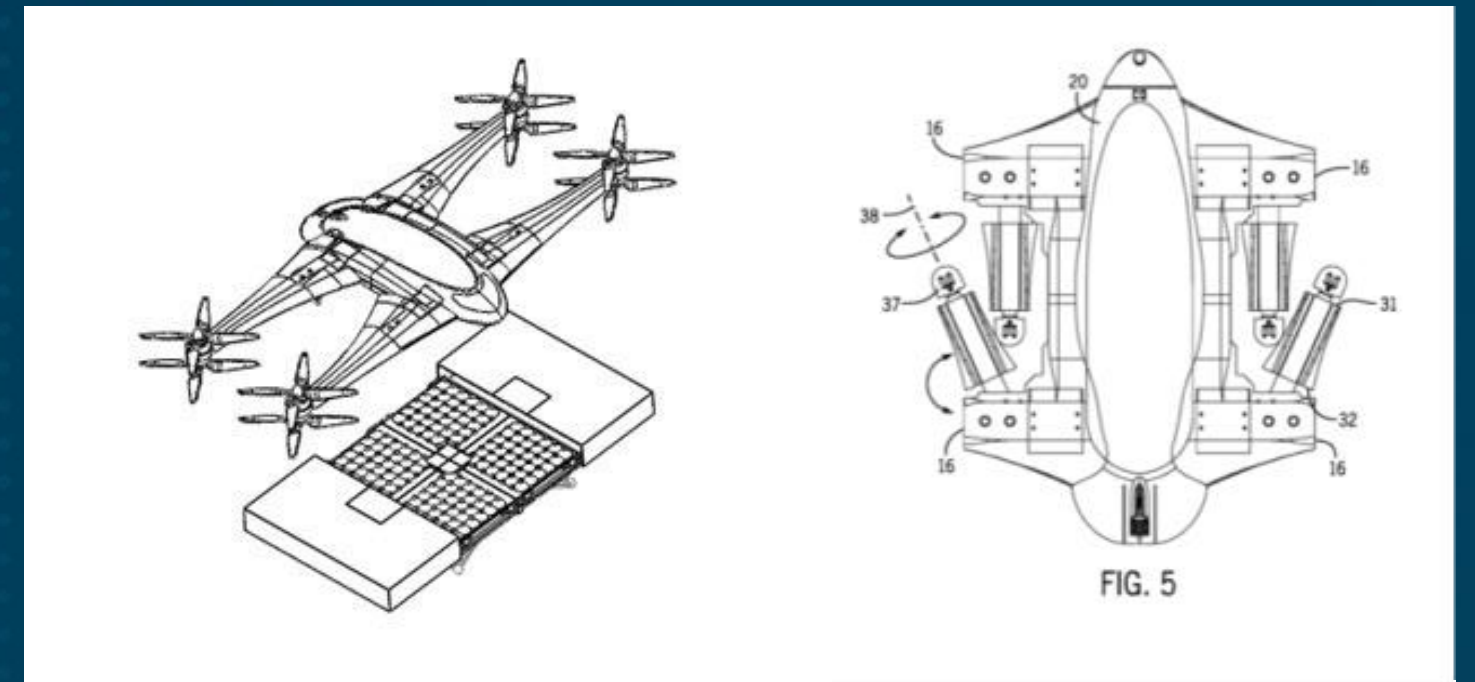
IP PORTFOLIO OVERVIEW

2 Patents for Drone Design

- ZenaDrone 1000 including interchangeable sensor nose cone

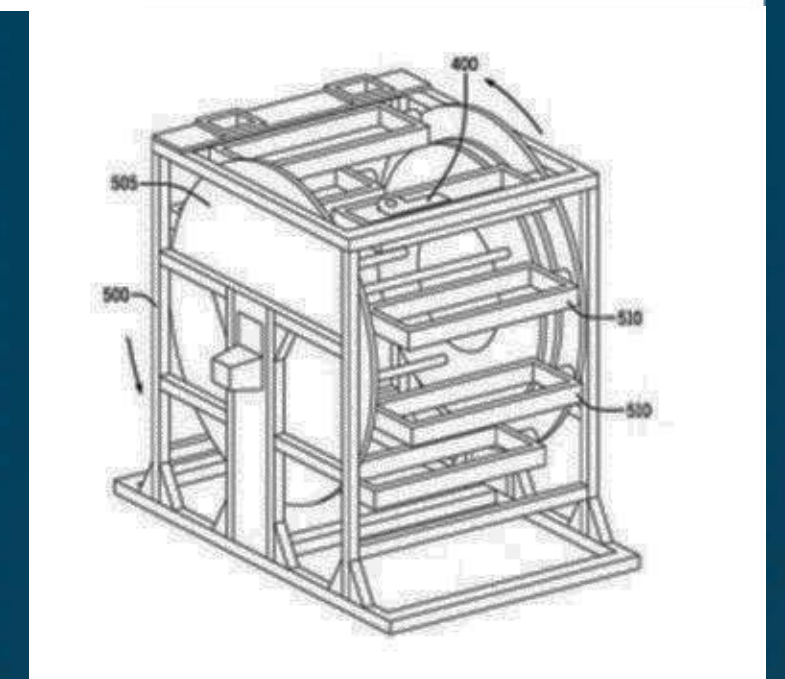


*For Graphic Reference Only



2 Patents for Drone Attachments including:

- Drone with extendable and rotatable wings and multiple accessories securing panel
- Charging/Re-Charging Drone Assembly Systems and Apparatus Pad



REGULATORY APPROVAL STATUS

Country	Regulatory Body	Approval Status
USA – Medium Large Category	FAA–Federal Aviation Administration	Granted
USA – Part 137 Spraying License	FAA–Federal Aviation Administration	Granted
UAE	Dubai Civil Aviation Authority and Ministry of Defence	Granted
USA – Green UAS (ZD1000 IQ Square Nano)	The Association for Uncrewed Vehicle Systems International	In-progress
USA – Blue UAS (ZD1000 IQ Square Nano)	Department of War	Pathway from Green
Turkey – BVLOS Testing	Directorate General of Civil Aviation (SHGM)	In-progress
Ireland	Irish Aviation Authority	In-progress
Canada	Transport Canada	In-progress

EXECUTIVE LEADERSHIP TEAM



Shaun Passley, PhD | Chairman & Chief Executive Officer

- Over 25 years of expertise in the software industry, more than 10 years leading public companies
- Serves as CEO and Chairman of the Board of ZenaTech
- Holds a PhD in Business Management and a master's in business administration from Benedictine University. Also has four master's degrees; a Master of Law from Northwestern University, a Master of Science in Information Technology from DePaul University, and a Master of Science in Product Design from Northwestern University
- A distinguished figure in the tech and business world



James Sherman, CPA | Chief Financial Officer

- Has worked for 30 years as a Certified Public Accountant (CPA). Graduated with Honors from Northern Illinois University
- Started career at a Fortune 500 telecommunications firm, rising through the ranks of finance roles
- Served as Treasurer for a \$3.5 billion division of Sprint Corporation, led a \$50 million cost-saving initiative
- CFO of a \$90 million national transportation and distribution company, led a turnaround from potential bankruptcy to ready for sale
- Served as CFO for Carry Corporation, a \$250 million division of Mitsubishi Corporation



Sajjad Asif, P. Eng. | Chief Technology Officer

- 18 years of professional experience and expertise in software and drone technologies
- Holds Master of Science in Software Engineering degree from Blekinge Tekniska Högskola (BTH) in Sweden, an MBA from AIQU in Pakistan, and a BS - Computer Science from PUCIT in Pakistan
- Held leadership positions with the ZenaTech group of companies, now focused on ZenaDrone solutions and integration
- Held CTO and other leadership and technical roles for multiple European technology firms

PATH FORWARD

- Green UAS/Blue UAS Certification in progress, Business Development for Defense Contracts
- Manufacturing Goals- Expanding Production, Manufacturing facilities, and set up Arizona and Ukraine manufacturing
- Closing 25 Acquisitions by June, 2026
- Integrating drones, continue to scale Drone as a Service, expand the margins, services and locations
- Advancing solutions- Indoor Inventory Drone, Agriculture Drone, Defense systems, Interceptor drones
- Advancing Zena AI & R&D Projects - AI Drone Fleets, next gen Applications and Quantum Computing



ZENNA TECH



Contact Information:

Linda Montgomery
VP, Corporate Development
investors@zenatech.com



zenatech.com